






Hang Zhou Color Powder Coating Equipment Co.,Ltd


Offer List for spray booth


Tel:0086-571-86015003 Fax:0086-571-86015003
 website:www.powderspraybooth.com


Model	COLO-S-1517	PICTURE	EXW PRICE (USDS/PC)
Booth Type	Closed		2990
Operator dimensions	L1500*W1000*H1700mm		
Overall dimensions	L1600*W2000*H2250mm		
Weight	150kg		
Power supply	Electric		
Nominal power	2.2kw		
Voltage	380V		
Frequency	50-60Hz		
Filters	Polyester		
Filters count	2 (325*900)		
Filters hang type	easy for change		
Filter cleaning system	Pneumatic		
Air consumption	4000m3/h		
Warranty	12 months		


Model	COLO-S-2315	PICTURE	EXW PRICE (USDS/PC)
Booth Type	Closed		3990
Operator dimensions	L1500*W2300*H1500mm		
Overall dimensions	L2140*W2750*H2240mm		
Weight	450kg		
Power supply	Electric		
Nominal power	4kw		
Voltage	380V 3PHASE		
Frequency	50-60Hz		
Filters	Polyester		
Filters count	4 (325*900)		
Filters hang type	easy for change		
Filter cleaning system	Pneumatic		
Air consumption	6677-13353m3/h		
Warranty	12 months		


Model	COLO-S-0711	PICTURE	EXW PRICE (USDS/PC)
Booth Type	Closed		1500
Operator dimensions	700width x 1000 height x 800 depth		
Overall dimensions	1000width x 1900 height x 1600 depth		
Weight	150kg		
Power supply	Electric		
Nominal power	1.5kW		
Voltage	380V		
Frequency	50-60Hz		
Filters	Polyester		
Filters count	1		
Filters hang type	easy for change		
Filter cleaning system	Pneumatic		
Air consumption	5100m3/h		
Warranty	12 months		


Model	COLO-S-0811	<p style="text-align: center;">PICTURE</p> 	<p style="text-align: center;">EXW PRICE (USD\$/PC)</p> 2000
Booth Type	Closed		
Operator dimensions	1000width x 1000 height x 800 depth		
Overall dimensions	1200width x 1900 height x 1600 depth		
Weight	150kg		
Power supply	Electric		
Nominal power	1.5kW		
Voltage	380V		
Frequency	50-60Hz		
Filters	Polyester		
Filters count	2		
Filters hang type	easy for change		
Filter cleaning system	Pneumatic		
Warranty	12 months		


Model	COLO-S-0812	<p style="text-align: center;">PICTURE</p> 	<p style="text-align: center;">EXW PRICE (USD\$/PC)</p> 1500
Booth Type	Closed		
Operator dimensions	1000width x 1000 height x 800 depth		
Overall dimensions	1300width x 1800 height x 1600 depth		
Weight	150kg		
Power supply	Electric		
Nominal power	1.5kW		
Voltage	380V		
Frequency	50-60Hz		
Filters	Polyester		
Filters count	2		
Filters hang type	easy for change		
Filter cleaning system	Pneumatic		
Warranty	12 months		


Model	COLO-S-1115	<p style="text-align: center;">PICTURE</p> 	<p style="text-align: center;">EXW PRICE (USD\$/PC)</p> 1450
Booth Type	Closed		
Operator dimensions	1000width x 1500 height x 1000 depth		
Overall dimensions	1700width x 1860 height x 1490 depth		
Weight	200kg		
Power supply	Electric		
Nominal power	1.5kW		
Voltage	380V		
Frequency	50-60Hz		
Filters	Polyester		
Filters count	1		
Filters hang type	easy for change		
Filter cleaning system	Pneumatic		
Warranty	12 months		


Model	COLO-S-1152	<p style="text-align: center;">PICTURE</p> 	<p style="text-align: center;">EXW PRICE (USD\$/PC)</p> 1450
Booth Type	Closed		
Operator dimensions	800width x 1200 height x 800 depth		
Overall dimensions	1000width x 1800 height x 1000 depth		
Weight	200kg		
Power supply	Electric		
Nominal power	1.5kW		
Voltage	380V		
Frequency	50-60Hz		
Filters	Polyester		
Filters count	1		
Filters hang type	easy for change		
Filter cleaning system	Pneumatic		
Warranty	12 months		


Model	COLO-S-3152	PICTURE	EXW PRICE (USD\$/PC)
Booth Type	Closed		3300
Operator dimensions	2000width x 1300 height x 1000 depth		
Overall dimensions	3000width x 2100 height x 1500 depth		
Weight	460kg		
Power supply	Electric		
Nominal power	3kW		
Voltage	380V		
Frequency	50-60Hz		
Filters	Polyester		
Filters count	4		
Filters hang type	easy for change		
Filter cleaning system	Pneumatic		
Warranty	12 months		


Model	COLO-S-2419	PICTURE	EXW PRICE (USD\$/PC)
Booth Type	Closed		3800
Operator dimensions	2400width x 1700 height x 1500 depth		
Overall dimensions	2480width x 2400 height x 1900 depth		
Weight	460kg		
Power supply	Electric		
Nominal power	5.5kW		
Voltage	380V		
Frequency	50-60Hz		
Filters	Polyester		
Filters count	4		
Filters hang type	easy for change		
Filter cleaning system	Pneumatic		
Warranty	12 months		

Model	COLO-S-3222	PICTURE	EXW PRICE (USD\$/PC)
Booth Type	walk in	 <small>walk-in booth COLO-S3222 (3X2X2.2)</small>	4500
Operator dimensions	3000width x 2000 height x 1700 depth		
Overall dimensions	3080width x 2080 height x 2200 depth		
Weight	450kg		
Power supply	Electric		
Nominal power	3.5kW		
Voltage	380V		
Frequency	50-60Hz		
Filters	Polyester		
Filters count	4		
Filters hang type	easy for change		
Filter cleaning system	Pneumatic		
Warranty	12 months		

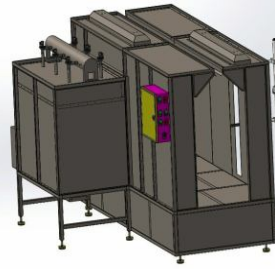
Model	COLO-S-2818	PICTURE	EXW PRICE (USD\$/PC)
Booth Type	open		4950
Operator dimensions	2800width x 1800 height x 1000 depth		
Overall dimensions	2800width x 2300 height x 1700 depth		
Weight	450kg		
Power supply	Electric		
Nominal power	3.5kW		
Voltage	380V		
Frequency	50-60Hz		
Filters	Polyester		
Filters count	3		
Filters hang type	easy for change		
Air consumption	10,200m3/h		
Filter cleaning system	Pneumatic		
Warranty	12 months		

Model	COLO-S-2152	PICTURE	EXW PRICE (USDS\$/PC)
Booth Type	Closed-drive-thru		4550
Operator dimensions	1400width x 1800 height x 1000 depth		
Overall dimensions	2500width x 2300 height x 1500 depth		
Weight	450kg		
Power supply	Electric		
Nominal power	3.5kW		
Voltage	380V		
Frequency	50-60Hz		
Filters	Polyester		
Filters count	2		
Filters hang type	easy for change		
Filter cleaning system	Pneumatic		
Air consumption	10,200m3/h		
Warranty	12 months		

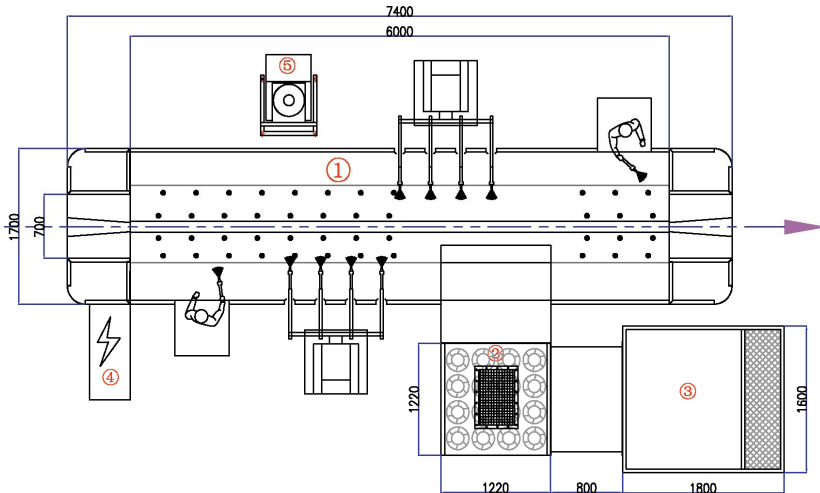
Model	COLO-S-2811 (similar as COLO-S-1517)	PICTURE	EXW PRICE (USDS\$/PC)
Booth Type	Closed		3990
Operator dimensions	1600width x 1800 height x 1000 depth		
Overall dimensions	1850width x 2300 height x 1600 depth		
Weight	450kg		
Power supply	Electric		
Nominal power	3.5kW		
Voltage	380V		
Frequency	50-60Hz		
Filters	Polyester		
Filters count	3		
Filters hang type	easy for change		
Filter cleaning system	Pneumatic		
10,200m3/h	10,200m3/h		
Warranty	12 months		

Model	COLO-S-4213	PICTURE	EXW PRICE (USDS\$/PC)
Booth Type	drive-thru		6300
Operator dimensions	600width x 1800 height x 4000 depth (2PCS)		
Overall dimensions	1300width x 2600 height x 4000 depth		
Weight	1000kg		
Power supply	Electric		
Nominal power	12kW		
Voltage	380V		
Frequency	50-60Hz		
Filters	Polyester		
Filters count	6		
Filters hang type	easy for change		
Filter cleaning system	Pneumatic		
Warranty	12 months		

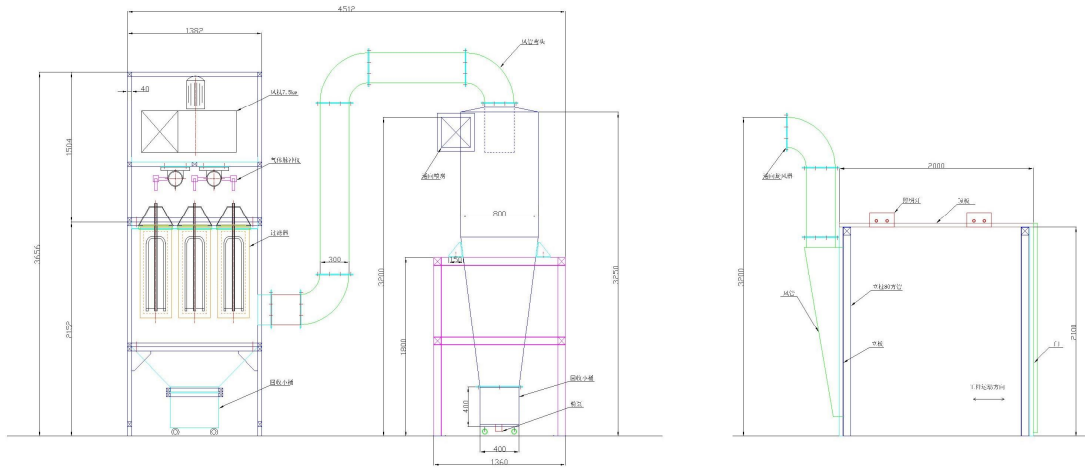
Model	COLO-S-3212	PICTURE	EXW PRICE (USDS/PC)
Booth Type	drive-thru		
Operator dimensions	620width x 1500 height x 2920 depth (2PCS)		
Overall dimensions	1200width x 2033 height x 3000 depth		
Weight	500kg		
Power supply	Electric		
Nominal power	3.5kW		
Voltage	380V		
Frequency	50-60Hz		
Filters	Polyester		
Filters count	3		
Filters hang type	easy for change		
Filter cleaning system	Pneumatic		
Warranty	12 months		



Model	COLO-S-6157	PICTURE	EXW PRICE (USDS/PC)
Booth Type	Multi-Cyclone		
Operator dimensions	700width x 1500 height x 6000 depth		
Overall dimensions			
Weight	4000kgs		
Power supply	Electric		
Nominal power	15KW		
Voltage	380V		
Frequency	50-60Hz		
Filters	Polyester		
Filters count	16pcs		
Filters hang type	easy for change		
Filter cleaning system	Pneumatic		
cyclone	16pcs, Efficient automatic separation		
cleaning cartridge filter unit	1set		
fluid hopper	1set		
Warranty	12 months		
		21500	

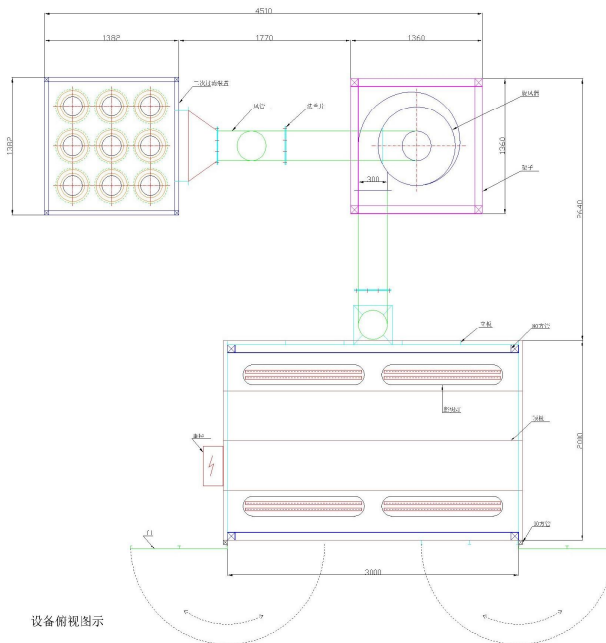


Model	COLO-S-C232	PICTURE	EXW PRICE (USD\$/PC)
Booth Type	Multi-Cyclone		
Operator dimensions	2m*3m*2m		
Overall dimensions			
Weight	1000kgs		
Power supply	Electric		
Nominal power	7.5KW		
Voltage	380V		
Frequency	50-60Hz		
Filters	Polyester		
Filters count	9pcs		
Filters hang type	easy for change		
Filter cleaning system	Pneumatic		
cyclone	Mono cyclone		
cleaning cartridge filter unit	1set		
fluid hopper	1set		
Warranty	12 months	14900	



回收主视图示

喷房侧视图示



设备俯视图示

Remark: 1) the working voltage can be same as request such as 110/220/380/415V
2)the size can be custom-made

More details contact with us:www.colourspray.com